



VVT SPROCKETS & SOLENOIDS

WHAT'S IN YOUR BOX?

StandardWhatsInYourBox.com

Standard® delivers premium quality VVT solenoids and sprockets with improvements over the original.

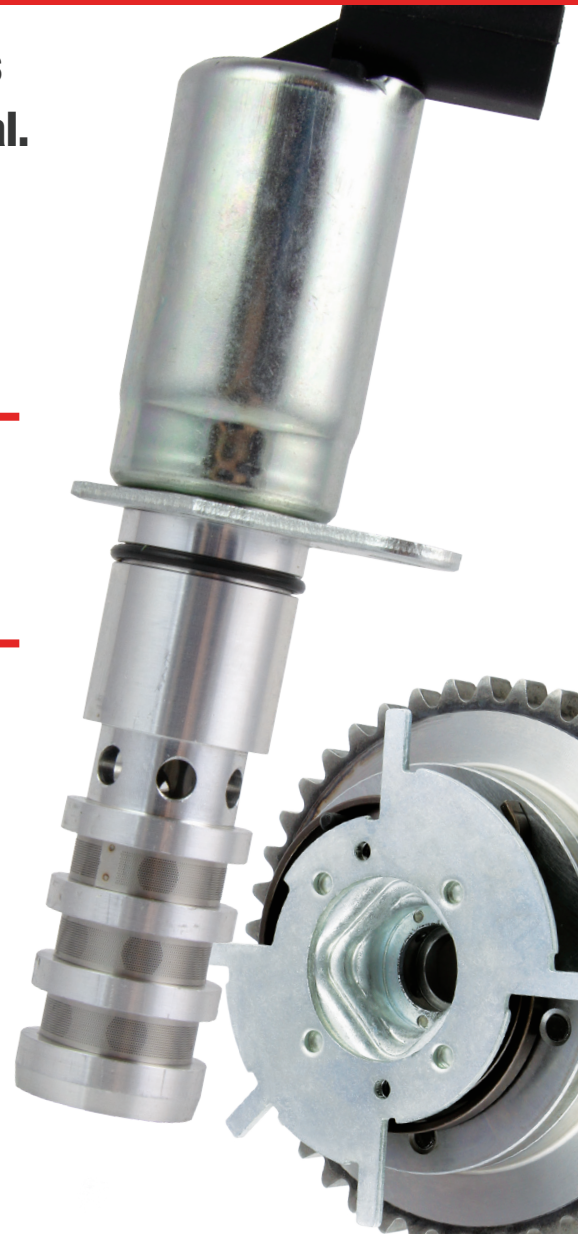
As Blue Streak® joins the Standard® and Intermotor® VVT lineup with design improvements over the OE, we deliver a line of high-quality, long-lasting VVT components that are designed and manufactured for superior performance under all operating conditions.

What's inside the Standard® box... advanced engineering, a precise attention to details and over 100 years of experience. What's in your box?

Premium quality VVT components are manufactured at SMP Poland, our most advanced design, engineering, and manufacturing facility. With 60+ engineers on-site, we introduce more than 110 new products each year.

SMP-manufactured VVT solenoids & sprockets undergo extensive measurement and life testing plus a full spectrum of environmental analysis that includes thermal shock, thermal cycling, salt spray, vibration, storage tests, and more.

This unwavering commitment to quality ensures that every VVT component measures up to real-world conditions.



500+
SKUs

The most comprehensive VVT line in the aftermarket

**PREMIUM
QUALITY**

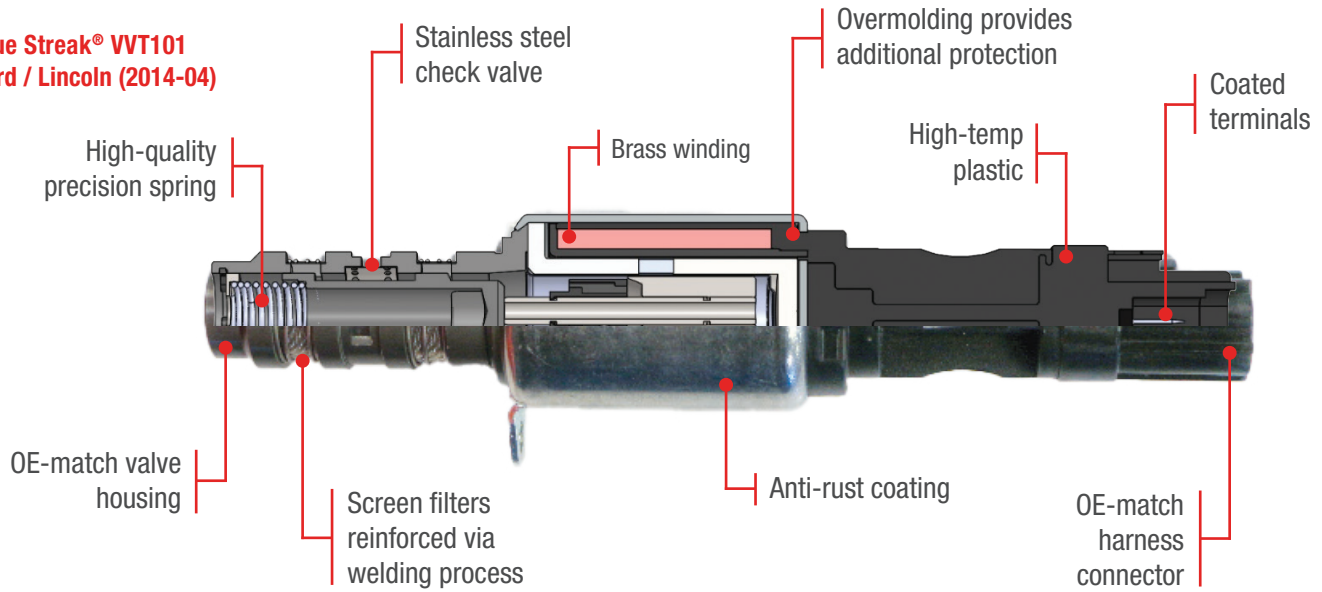
Many of our VVTs include value-adds such as gaskets for a trouble-free install

100%
TESTED

Our extreme testing regimen ensures precise performance and longevity

Blue Streak® VVT solenoid features an improved screen stamp plus welded reinforcement.

Blue Streak® VVT101
Ford / Lincoln (2014-04)



Blue Streak® VVT sprocket integrated paddle design improves on the original.

Better performance in timing phase response, oil loss, and working life of locking pin and overall component

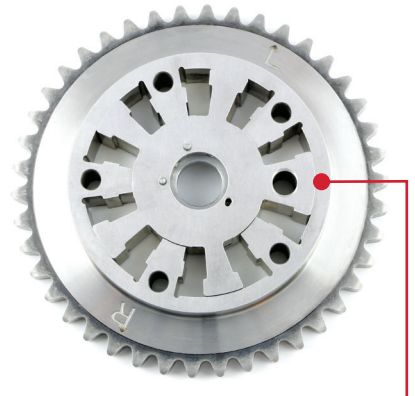
Better match and correct tolerance

Blue Streak® VVT500
Ford / Lincoln (2014-04)

OE-style installation bolts included with sprocket for ease of installation

New re-designed coil spring

No friction between sprocket and rotor



Improved all-metal integrated design

- Larger contact area
- No paddle to wear out
- Fast response times
- Improved performance
- Longer service life

For more than 100 years, when the OE failed, technicians trusted Standard®, Blue Streak® and Intermotor® to deliver a part that's equal to or better than the original it's replacing.



STANDARDBRAND.COM



STANDARDBLUESTREAK.COM



INTERMOTORIMPORT.COM



SMPCORP.COM

