



ABS SPEED SENSORS

# WHAT'S IN YOUR BOX?

StandardWhatsInYourBox.com

**All Standard® and Intermotor® ABS Sensors are premium quality and engineered to perform like the original.**

Standard® and Intermotor® ABS speed sensors are designed to provide consistent performance, matching the OE for form, fit, and precision function. **Features such as superior magnetic circuit materials** are engineered into our sensors to deliver higher voltage output preventing ABS system failure.

Superior design is one reason our ABS sensors perform equal to or better than the original.

---

**What's inside the Standard® box... advanced engineering, extensive testing and over 100 years of experience. What's in your box?**

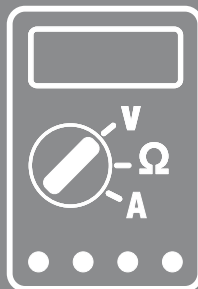
---

It's this attention to detail that ensures every Standard® and Intermotor® ABS speed sensor meets or exceeds the original it's replacing for performance and durability.



**2,500+  
SKUs**

More than 2,500 SKUs and 96% coverage for domestic and import applications

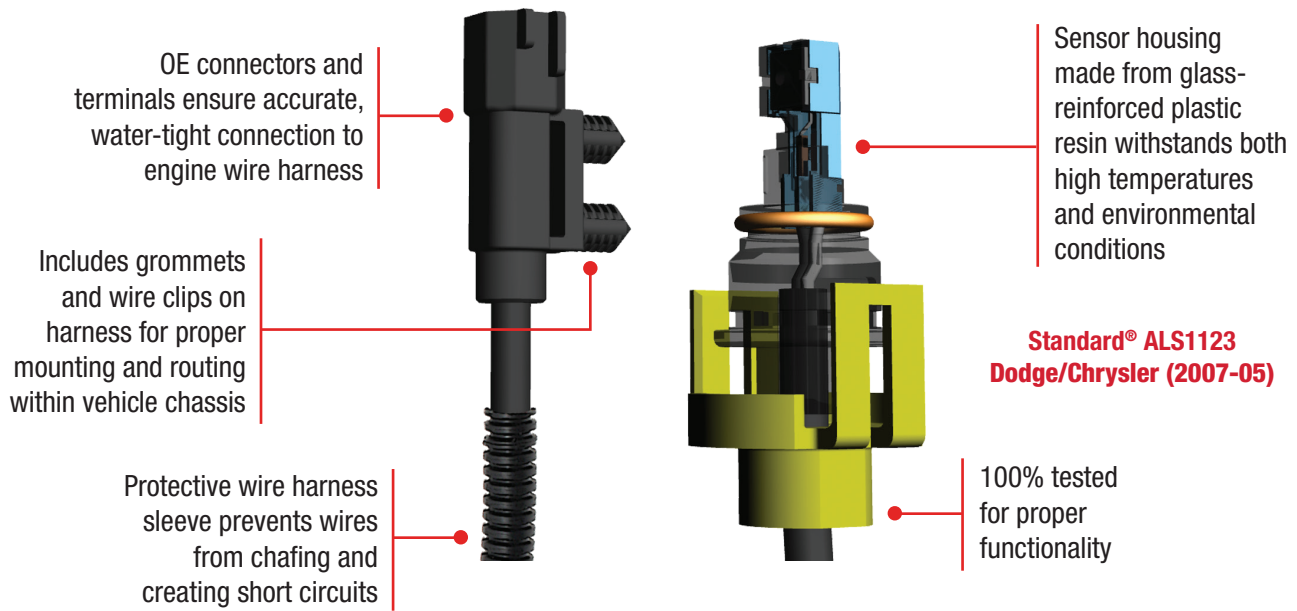


ABS sensors perform flawlessly matching the OE for form, fit, and critical function



Superior quality control with extensive laboratory and real-life ABS sensor testing

## We include the quality and extras you need to ensure a proper install.



## Rigorous ABS Sensor testing means a more reliable sensor.

We perform **extensive laboratory and real-life testing** that includes evaluating the following:

- Shaft speed vs. delta voltage
- Output voltage and variation to OE
- Magnetic field strength and air gap
- Output wave form and pulse width

### HOW DOES THE COMPETITION MEASURE UP?

The competition didn't physically match and measured 29-51% lower voltage output when compared to the GM sample, leading to potential system failure. In the Ford test, the competition measured 45-74% lower voltage, with resistance & inductance flaws that result in poor performance.

**Standard® and Intermotor® ABS sensors delivered a more consistent signal output performance** matching OE for output voltage, resistance, and all critical measurables.

SMP LIC Laboratory, 2020



**ALS1333 GM (2002-97)**



**ALS198 Ford (2009-95)**

For more than 100 years, when the OE failed, technicians trusted Standard®, Blue Streak® and Intermotor® to deliver a part that's equal to or better than the original it's replacing.



STANDARDBRAND.COM



STANDARDBLUESTREAK.COM



INTERMOTORIMPORT.COM



SMPCORP.COM

